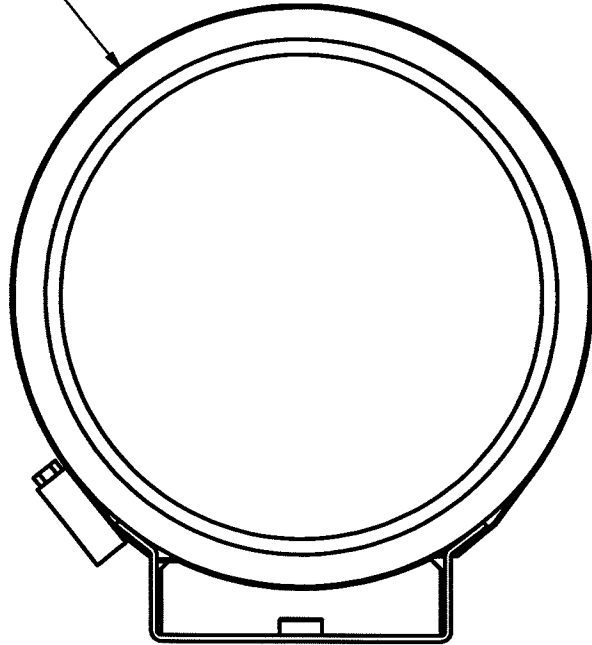


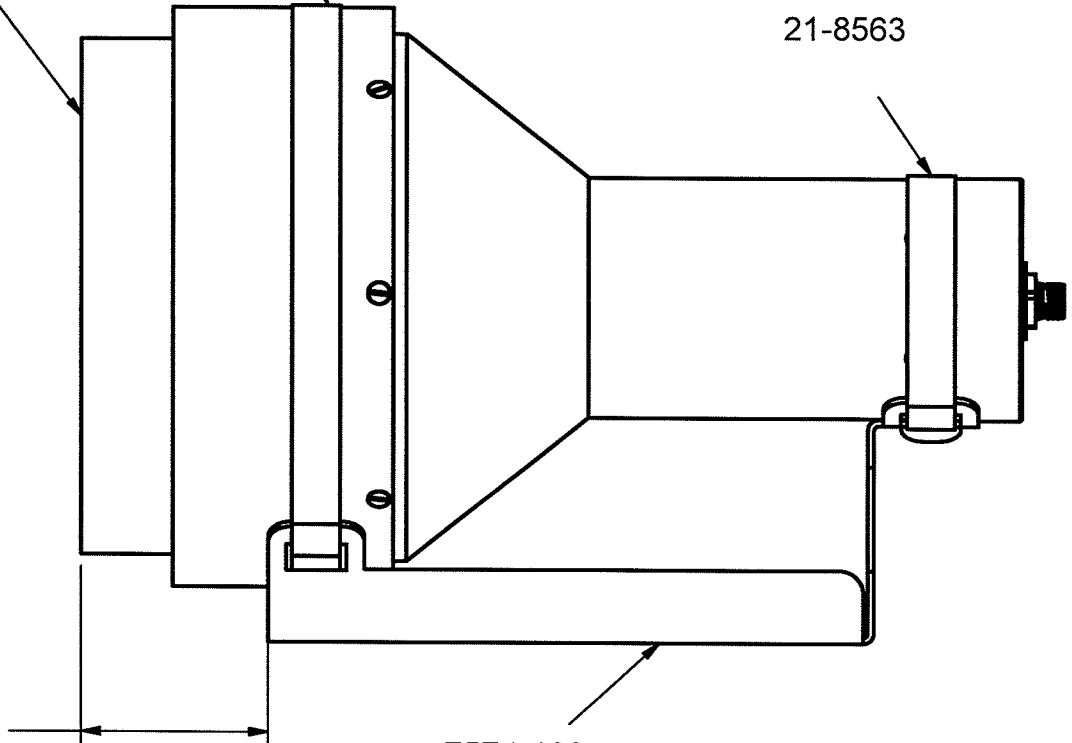
REVISION HISTORY			
REV	DESCRIPTION	DATE	BY
1	VALID	5-30-17	JGW

Ø6.000
[Ø6]



M 44-213

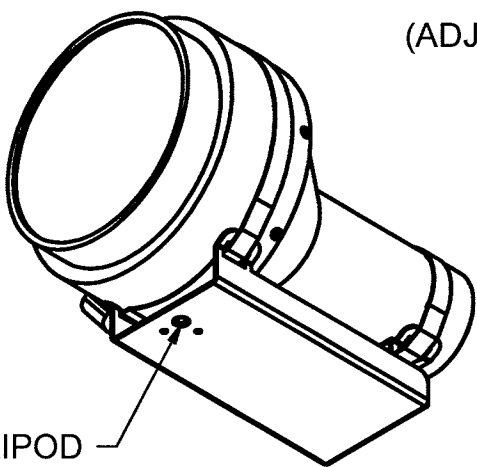
22-9395



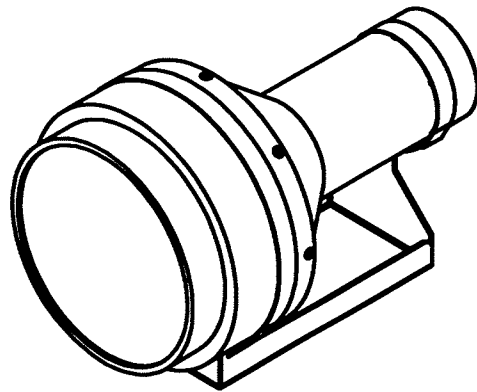
21-8563

1.957
[1¹⁵/₁₆]
(ADJUSTABLE)

7574-100



ATTACH TRIPOD
SCREW HERE



DWN	DATE	CHK	DATE	APP	DATE
JWI	8-7-17			<i>Jew</i>	8-9-17
DWG NUM: 4574-099				SCALE: 1/2	
TITLE M 44-213 CAMERA TRIPOD					
LUDLUM MEASUREMENTS, INC. 501 OAK STREET SWEETWATER, TEXAS 79556			SERIES	SHEET	
			574	99	