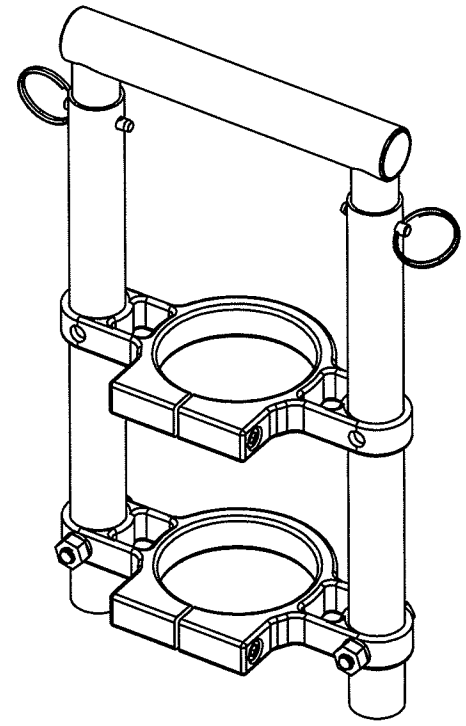
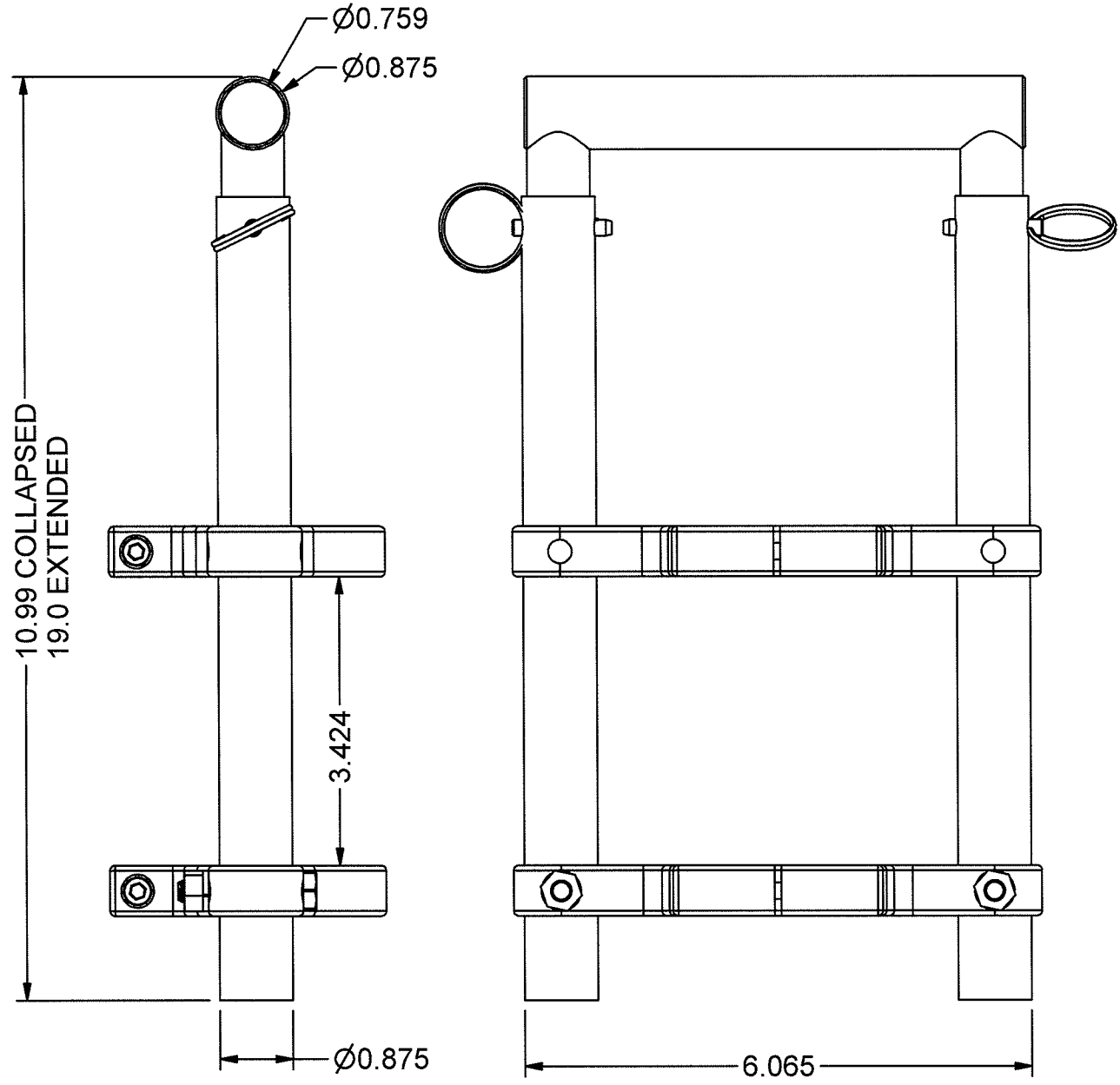


REVISION HISTORY

REV	DESCRIPTION	DATE	BY
1	VALID	4/20/15	WJM
2	REDESIGNED	6/15/15	WJM
3	REDESIGNED	7/15/16	WJM



DWN	DATE	CHK	DATE	APP	DATE
ZSZ	3/1/18			Jbw	3-1-18
DWG NUM: 4574-066				SCALE: 1/4	
TITLE M RDS 44-213 HANDLE ASSY					
LUDLUM MEASUREMENTS, INC. 501 OAK STREET SWEETWATER, TEXAS 79556			SERIES	SHEET	
			574	66A	