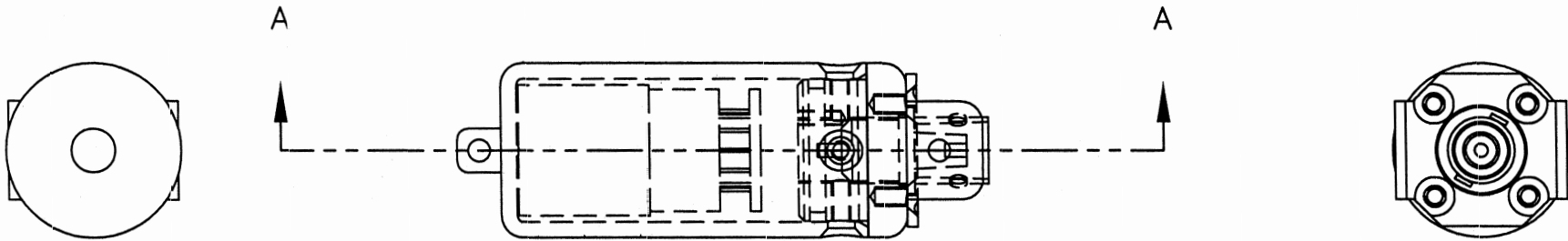
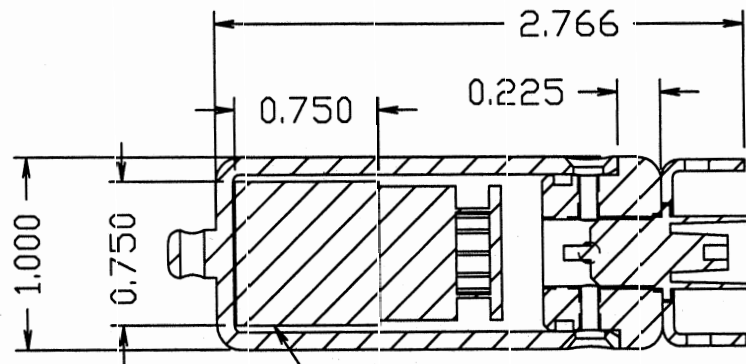


REV #	ALTERATIONS	DATE	BY
3	VALID	2-12-03	JGW

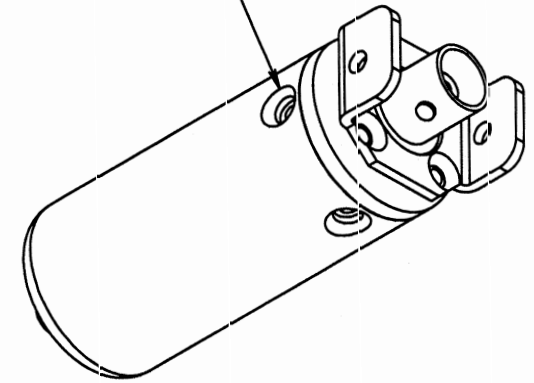



SEAL THREADS
WITH RTV



18mm X 18mm CsI

SECTION A-A



DRN DATE CHG 10-12-10	CHK DATE	APP DATE JGW 10-12-10
DWG NUM: 4012-782	SCALE: FULL <input type="checkbox"/> OTHER 1/1	
TITLE M 44-159		
 LUDLUM MEASUREMENTS, INC. 301 ONE STREET SHELVATER, TX 75854	SERIES 2	SHEET 76:2